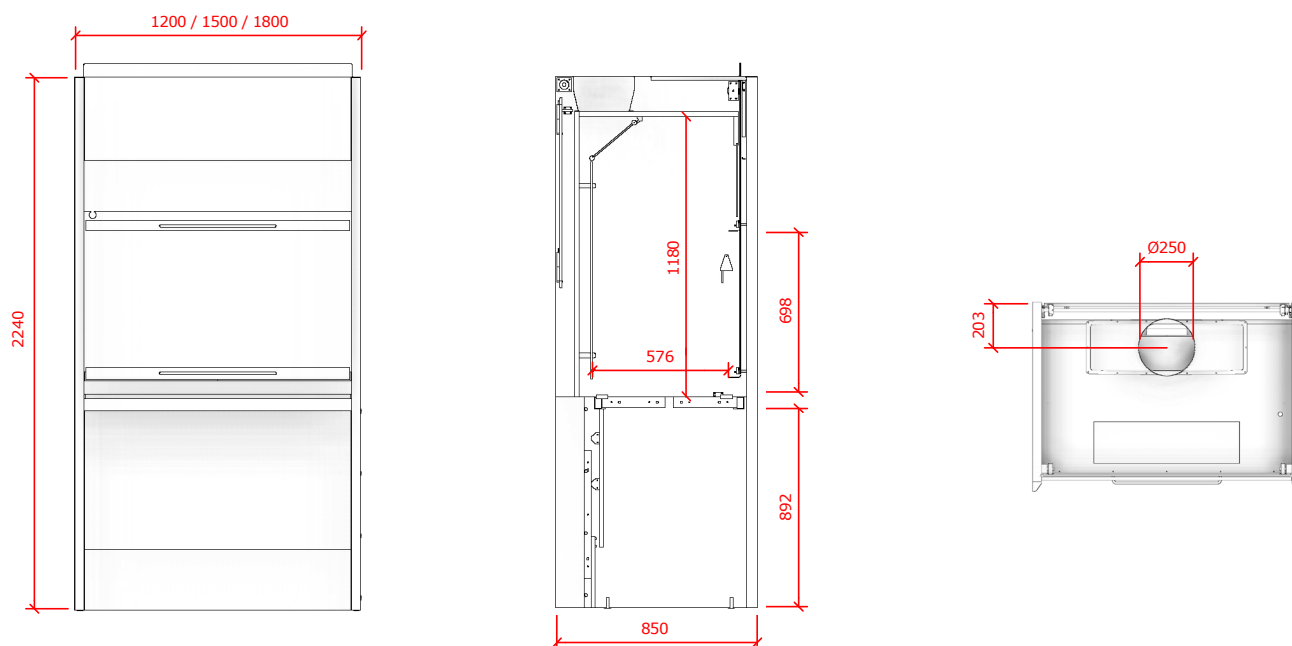




Fume hood

With or without frame

FUME HOOD WITH FRAME AND STRAIGHT FRONT / STRAIGHT SIDE - MODEL 431



Width	1200 mm	1500 mm	1800 mm
Colour	Polarhvid/alu	Polarhvid/alu	Polarhvid/alu
Depth	850 mm	850 mm	850 mm
Height	2240 mm	2240 mm	2240 mm
Internal cabin height	1180 mm	1180 mm	1180 mm
Worktop, height	892 mm	892 mm	892 mm
Worktop, working depth	576 mm	576 mm	576 mm
Worktop, total depth	625 mm	625 mm	625 mm
Worktop, total width	1114 mm	1414 mm	1714 mm
Sash opening with airfoil	698 mm	698 mm	698 mm
Sash material	Hardened glass, 6 mm	Hardened glass, 6 mm	Hardened glass, 6 mm
Glass forefront/airfront	Acid-proof stainless steel	Acid-proof stainless steel	Acid-proof stainless steel
Sash hoisting system	Toothed belt	Toothed belt	Toothed belt
Cladding in the cabin	Heigh-pressure laminate	Heigh-pressure laminate	Heigh-pressure laminate
Ventilation: spigot size ¹⁾	1 x $\varnothing 250$	1 x $\varnothing 250$	1 x $\varnothing 315$

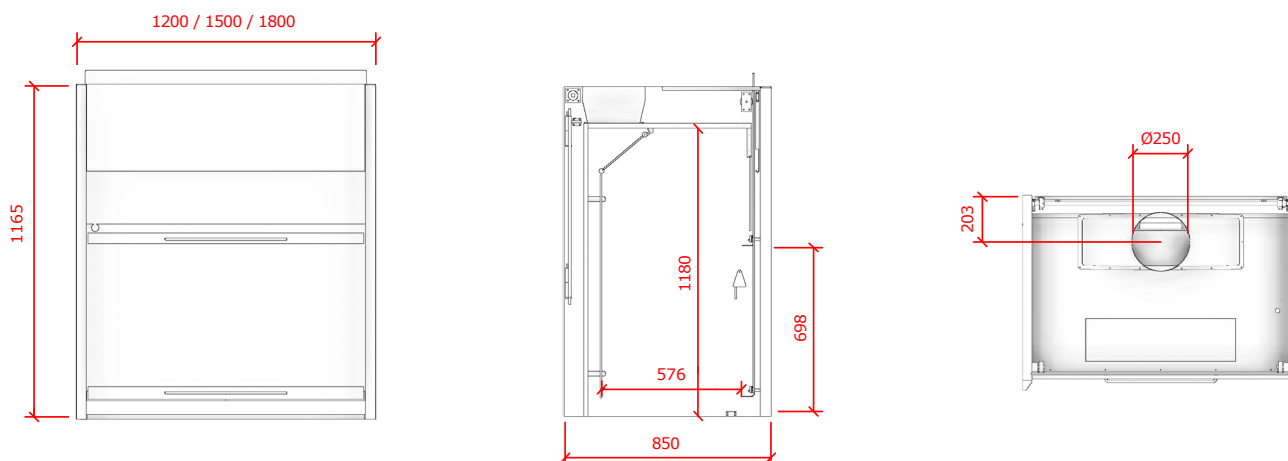
¹⁾ $\varnothing 250$ is in polypropylen

$\varnothing 315$ is in acid-prood stainless steel

RESISTANCE OVERVIEW FOR WORKTOPS

	Organic solvents	Acid / base	Heat impact	Disfiguration	Impact effect	Discolouration	Surface level	Absorption
Laminate	●	●	●	●	●	●	●●	●●
Compact laminate	●●	●	●	●●	●●	●●	●●●	●●
Polypropylen	●●●	●●●	●	●	●	●	●●●	●●
Stainless steel, 316	●●●	●●●	●●●	●●	●●●	●●●	●●●	●●●
Epoxy Resin	●●●	●●●	●●	●●●	●●	●●●	●●●	●●●
Ceramic	●●●	●●●	●●●	●●●	●●	●●●	●●●	●●

Excellent ●●● Good ●● Acceptable ●



Width	1200 mm	1500 mm	1800 mm
Colour	Polarhvid/alu	Polarhvid/alu	Polarhvid/alu
Depth	850 mm	850 mm	850 mm
Height	1165 mm	1165 mm	1165 mm
Internal cabin height	1180 mm	1180 mm	1180 mm
Worktop, working depth	576 mm	576 mm	576 mm
Worktop, total depth	625 mm	625 mm	625 mm
Worktop, total width	1114 mm	1414 mm	1714 mm
Sash opening with airfoil	698 mm	698 mm	698 mm
Sash material	Hardened glass, 6 mm	Hardened glass, 6 mm	Hardened glass, 6 mm
Glass forefront/airfront	Acid-proof stainless steel	Acid-proof stainless steel	Acid-proof stainless steel
Sash hoisting system	Toothed belt	Toothed belt	Toothed belt
Cladding in the cabin	Heigh-pressure laminate	Heigh-pressure laminate	Heigh-pressure laminate
Ventilation: spigot size ¹⁾	1 x Ø250	1 x Ø250	1 x Ø315

¹⁾ Ø250 is in polypropylen

Ø315 is in acid-prood stainless steel