

# Point exhaust

Labflex point exhaust to Laboratory workplaces are designed as a self-bearing and flexible structure which is easy to operate and clean.

The arm can be adjusted with one hand, so that it extracts smoke, dust or gas as close as possible to the source of contamination.

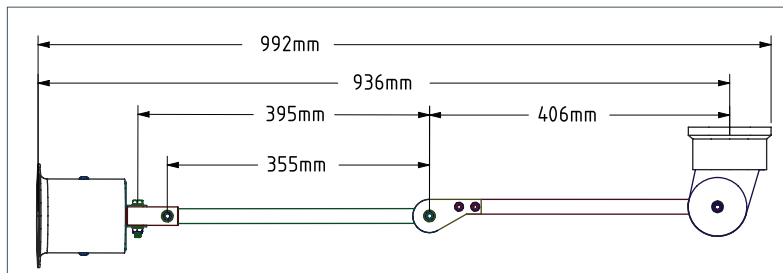
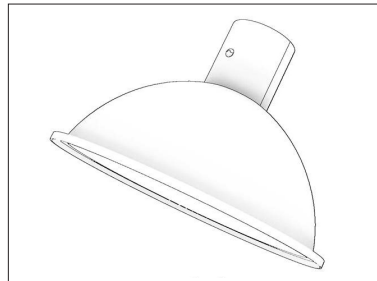
Point exhaust incl. extraction arm can be supplied detachable for the front-mounted type and can thereby be moved from one working place to another.

The point exhaust can be supplied with a standard hood or a transparent polycarbonate hood.

Standard hood



Polycarbonate hood



## SPECIFICATIONS

Extraction arm diameter: Ø125

Extraction arm length: 1000 mm

Hood material: Clear polycarbonate or metal

Polycarbonate hood diameter: Ø385 mm

Standard hood height: 140 mm (Ø125 mm)

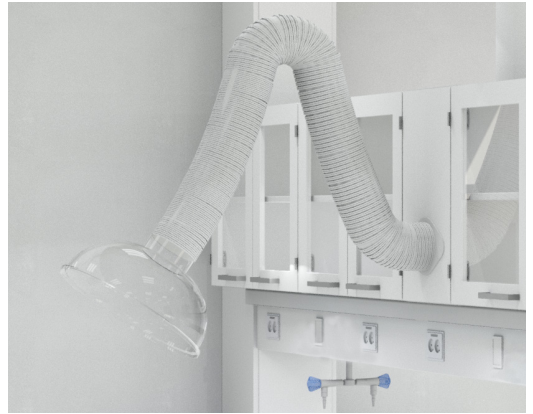
Possibility of damper at the top of the hood

Possibility of light in the funnel

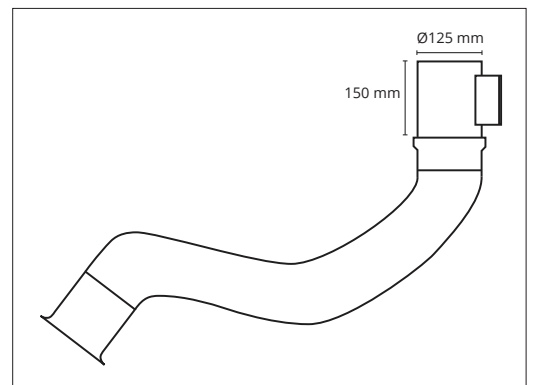
Extraction arm is flexible and adjustable in 3 directions.

The point exhaust surfaces are resistant to basic cleaners, ethanol and rodalon.

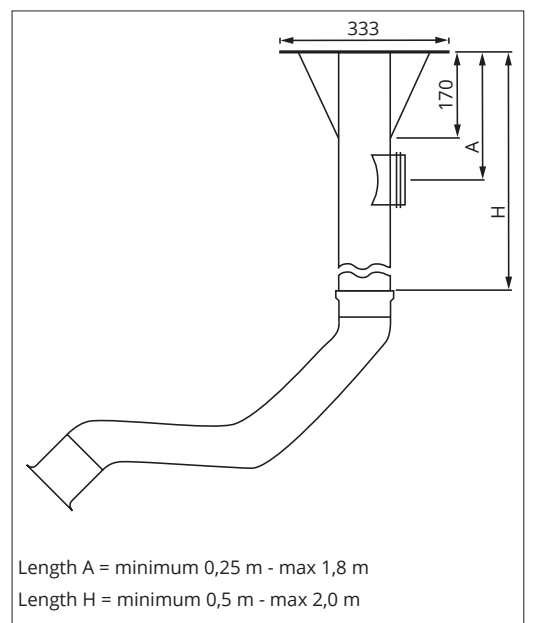
Front mounted



Wall mounted



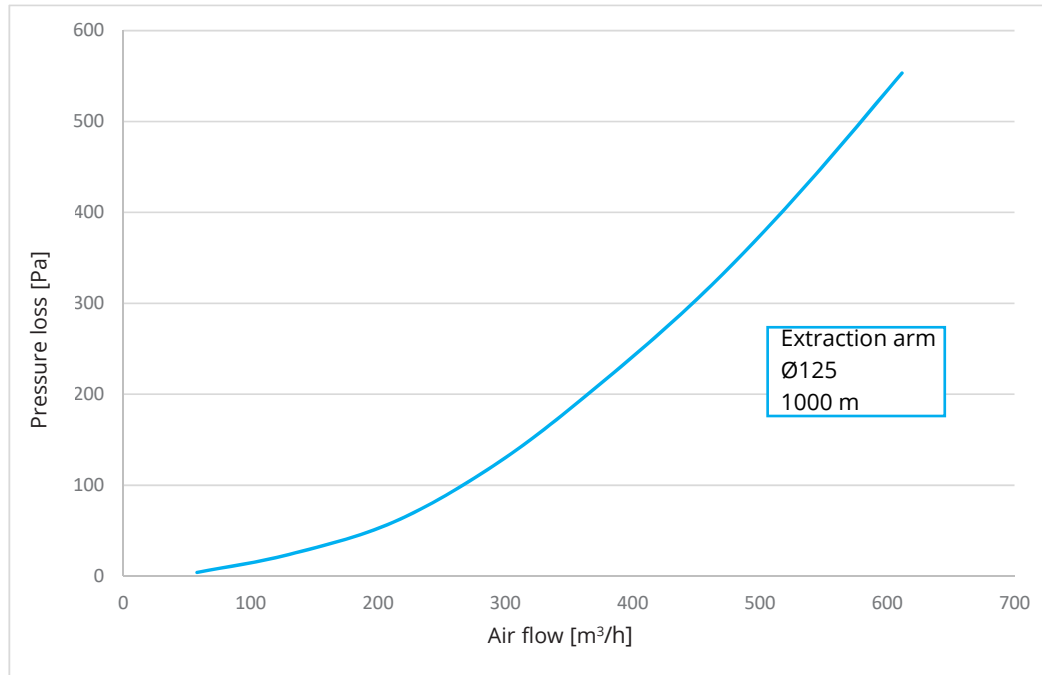
Ceiling mounted



# Point exhaust

The data are indicative, since the measurements are made for an isolated extraction arm at 1 meter distance. Therefore, it is subject to, that there may be deviations depending on the actual room layout and other situation-dependent conditions.

## AIRFLOW AND LOSS OF PRESSURE



Recommended airflows and corresponding sound levels:

	Flow l/s	Flow m³/h	Pressure loss Pa	Sound level dB(A)
Ø125	36	130	24	35
	59	210	60	44
	81	290	123	50

## OTHER TECHNICAL DOCUMENTATION

On request and at an additional cost, we can provide proof of:  
Accelerated Lifetime Test of Arm Movement corresponding to 5 years.