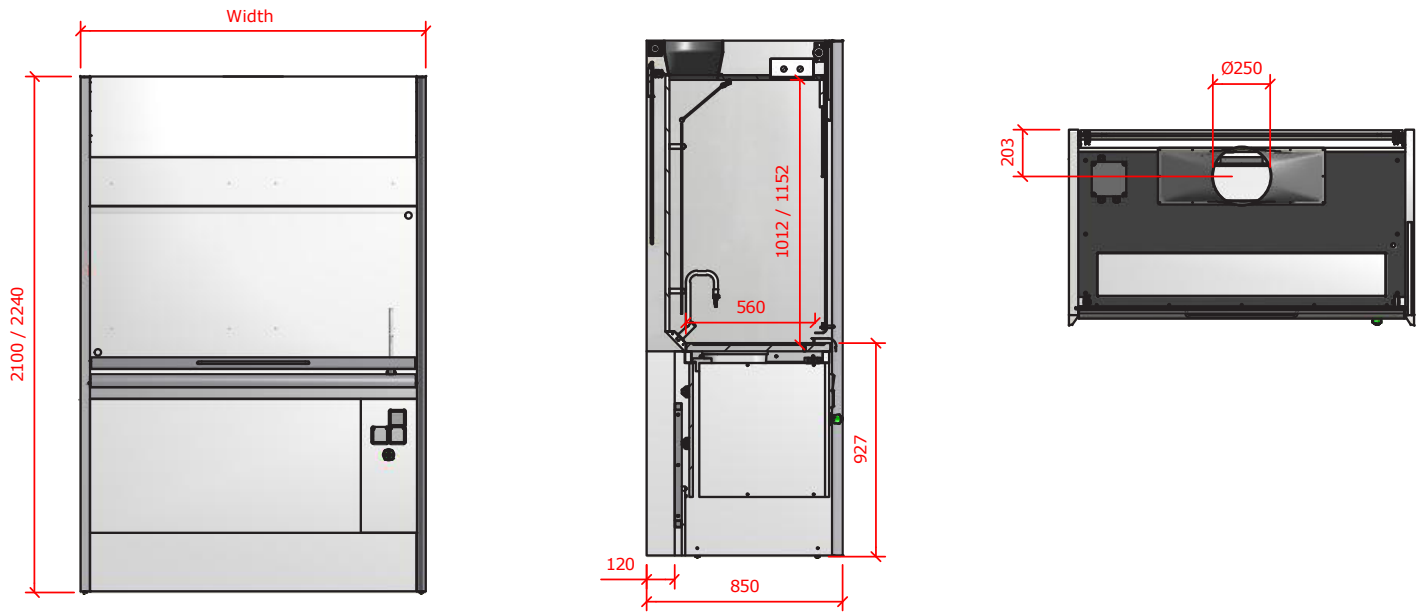




Fume cupboard

Technical specifications

Straight front/straight side - Model 175/275 and 170/270



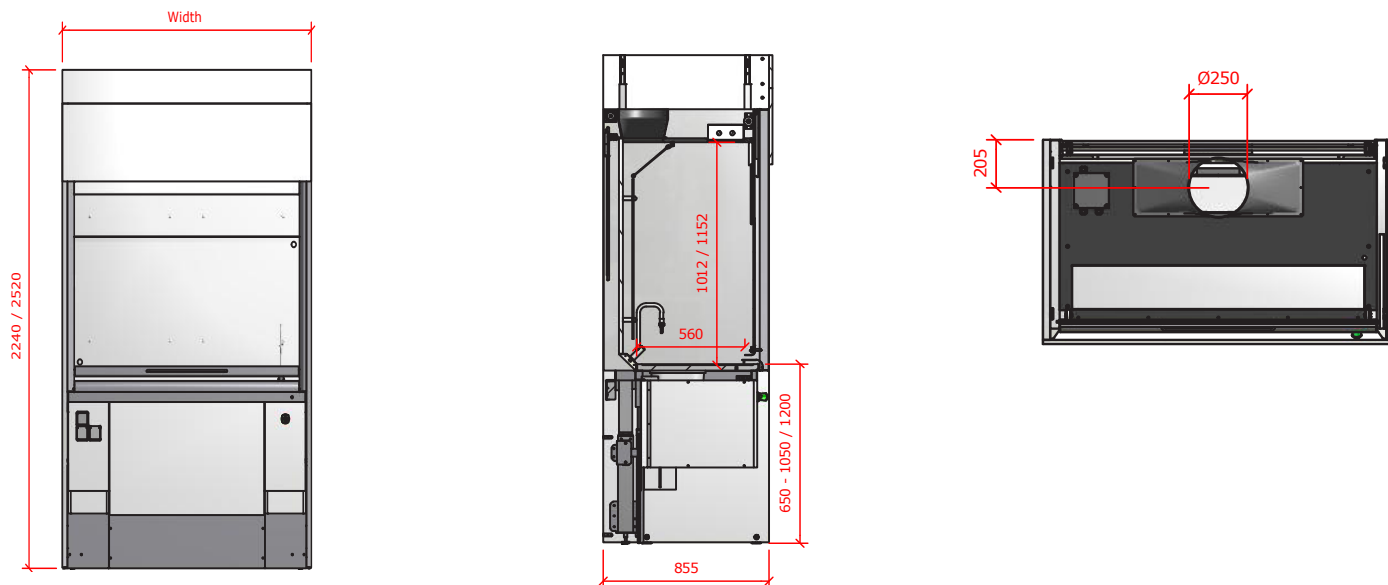
	1200 mm	1500 mm	1800 mm	2400 mm
Item number	5175120085/5275120085	5175150085/5275150085	5175180085/5275180085	5175240085/5275240085
Colour	Polar white/alu	Polar white/alu	Polar white/alu	Polar white/alu
Width	1200 mm	1500 mm	1800 mm	2400 mm
Depth	850 mm	850 mm	850 mm	850 mm
Height ¹	2100 mm / 2240 mm	2100 mm / 2240 mm	2100 mm / 2240 mm	2100 mm / 2240 mm
Internal cabin height	1012 mm / 1152 mm	1012 mm / 1152 mm	1012 mm / 1152 mm	1012 mm / 1152 mm
Worktop, height	927 mm	927 mm	927 mm	927 mm
Worktop, working depth	560 mm	560 mm	560 mm	560 mm
Worktop, total depth	625 mm	625 mm	625 mm	625 mm
Worktop, total width	1114 mm	1414 mm	1714 mm	2314 mm
Sash opening (max.) with airfoil	616 mm	616 mm	616 mm	616 mm
Sash material	Hardened glass, 6 mm	Hardened glass, 6 mm	Hardened glass, 6 mm	Hardened glass, 6 mm
Glass forefront/airfoil	Acid-proof stainless steel	Acid-proof stainless steel	Acid-proof stainless steel	Acid-proof stainless steel
Service rail	Acid-proof stainless steel, with white epoxy coating	Acid-proof stainless steel, with white epoxy coating	Acid-proof stainless steel, with white epoxy coating	Acid-proof stainless steel, with white epoxy coating
Sash hoisting system	Toothed belt	Toothed belt	Toothed belt	Toothed belt
Cladding in the cabin	High-pressure laminate	High-pressure laminate	High-pressure laminate	High-pressure laminate
Ventilation: spigot size ²	1 x Ø250	1 x Ø250	1 x Ø315	2 x Ø250
Noise in dB ³	Max 40	Max 40	Max 40	Max 40

Manufactured in accordance with the following standards: EN14175, part 2, 3, 6 and CE

¹ The cabinet is available in two standard heights ² Polypropylene or acid-proof stainless steel ³ ISO 3746 Grade 3

RESISTANCE CHART FOR WORKTOPS

	Organic solvents	Acid / base	Heat impact	Disfiguration	Impact effect	Discolouration	Surface level	Absorption
Laminate	●	●	●	●	●	●	●●	●●
Compact laminate	●●	●	●	●●	●●	●●	●●●	●●
Polypropylene	●●●	●●●	●	●	●	●	●●●	●●
Stainless steel, 316	●●●	●●●	●●●	●●	●●●	●●●	●●●	●●●
Epoxy Resin	●●●	●●●	●●	●●●	●●	●●●	●●●	●●●
Comporite	●●●	●●●	●●	●●●	●●●	●●●	●●●	●●●
Ceramic	●●●	●●●	●●●	●●●	●●	●●●	●●●	●●
Excellent	●●●	Good ●●	Acceptable ●					



	1200 mm	1500 mm	1800 mm
Item number	5170120085/5270120085	5170150085/5270150085	5170180085/5270180085
Colour	Polar white/alu	Polar white/alu	Polar white/alu
Width	1200 mm	1500 mm	1800 mm
Depth	855 mm	855 mm	855 mm
Height ¹	2240 mm / 2520 mm	2240 mm / 2520 mm	2240 mm / 2520 mm
Internal cabin height	1012 mm / 1152 mm	1012 mm / 1152 mm	1012 mm / 1152 mm
Worktop, height adjustable	650-1050 mm / 650-1200 mm	650-1050 mm / 650-1200 mm	650-1050 mm / 650-1200 mm
Worktop, working depth	560 mm	560 mm	560 mm
Worktop, total depth	625 mm	625 mm	625 mm
Worktop, total width	1051 mm	1351 mm	1651 mm
Sash opening (max.) with airfoil	616 mm	616 mm	616 mm
Sash material	Hardened glass, 6 mm	Hardened glass, 6 mm	Hardened glass, 6 mm
Glass forefront/airfoil	Acid-proof stainless steel	Acid-proof stainless steel	Acid-proof stainless steel
Service rail	Acid-proof stainless steel, with white epoxy coating	Acid-proof stainless steel, with white epoxy coating	Acid-proof stainless steel, with white epoxy coating
Sash hoisting system	Toothed belt	Toothed belt	Toothed belt
Cladding in the cabin	High-pressure laminate	High-pressure laminate	High-pressure laminate
Ventilation: spigot size ²	1 x Ø250	1 x Ø250	1 x Ø315
Noise in dB ³	Max 40	Max 40	Max 40

Manufactured in accordance with the following standards. EN14175, part 2, 3, 6 and CE

¹ The cabinet is available in two standard heights ² Polypropylene or acid-proof stainless steel ³ ISO 3746 Grade 3

OPTIONS

Contact us for an in-depth description of options

P +45 8747 2700
info@labflex.com
www.labflex.com

- **Underbench cabinets**
- **Types of worktops**
Choose from a wide selection of worktop types.
- **Sink and drip cup**
Several options are available dependant on size, worktop and drainage requirements.
- **Tap**
The fume cupboard can be fitted with taps for liquids and gases. Such taps are usually fitted to the rear service rail.
- **Sockets**
Sockets and switches, etc. are fitted as standard on the panel exterior.
- **Fume cupboard controls**
The fume cupboard comes with controls that allow for stepless control via the sash hoist and coordinated control with room ventilation.
- **EnergySaver**
Energy-saving function that automatically closes the sash of the fume cupboard when the fume cupboard is not in use.
- **Customized**
The design and construction can be customized to fit your specific needs and requirements.
- **Other**
Hardened glass on the right side or the left side.
Laminate covering with alu edges towards the ceiling.

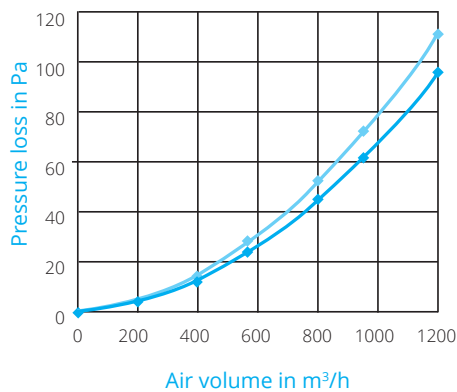
SCOPE OF DELIVERY

The fume cupboard is delivered ready for connecting power, plumbing and ventilation. Labflex can also offer installation and connections if you require the delivery of a turnkey fume cupboard solution.

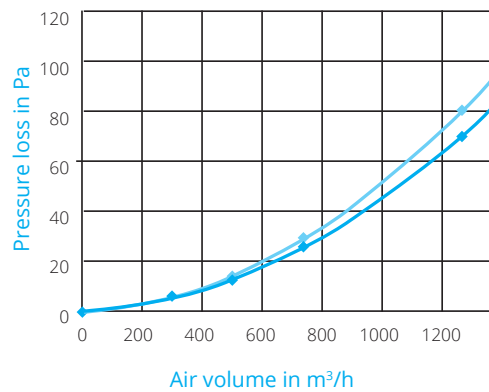
Contact us if you would like to know more.

PRESSURE LOSS IN CABIN

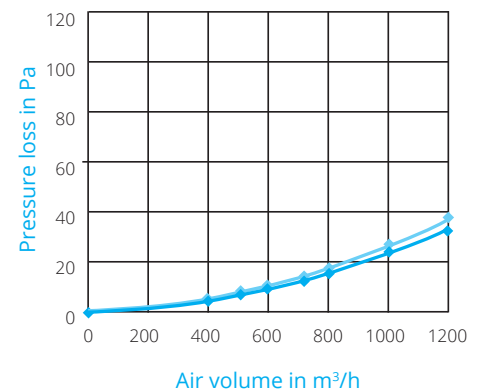
1200 MM



1500 MM



1800 MM



◆ Sash opened 50 cm ◆ Sash closed

AIR VOLUME

Sash opening Metres	1200 mm		1500 mm		1800 mm		2400 mm	
	m ²	m ³ /h	m ²	m ³ /h	m ²	m ³ /h	m ²	m ³ /h
0.10	0.112	202	0.142	256	0.172	310	0.232	418
0.15	0.168	302	0.213	393	0.258	464	0.348	626
0.20	0.224	403	0.284	511	0.344	619	0.464	835
0.25	0.280	504	0.355	639	0.430	774	0.580	1044
0.30	0.336	605	0.426	767	0.516	929	0.696	1253
0.35	0.392	706	0.497	895	0.602	1084	0.812	1462
0.40	0.448	806	0.568	1022	0.688	1238	0.928	1670
0.45	0.504	907	0.639	1150	0.774	1393	1.044	1879
0.50	0.560	1008	0.710	1278	0.860	1548	1.160	2088

Calculated air volume in fume cupboards Air speed in the sash opening is 0.5 m/sec.

Labflex is one of Europe's leading suppliers of innovative customised laboratory solutions to industrial and university laboratories and to the research and hospital sector. Labflex offers consulting, project planning, concept development, project management and a wide, well-documented product range as well as installation and service. Further information on www.labflex.com

HEAD OFFICE, COPENHAGEN

Labflex A/S
Marielundvej 45 A
DK - 2730 Herlev

+45 8747 2700

DENMARK

Labflex A/S
Hjortevej 3
DK - 7800 Skive

+45 8747 2700

UNITED KINGDOM

Labflex Limited
Pegasus Business Park
Castle Donington
UK - DE74 2TZ

+44 (0) 1332 638 071