

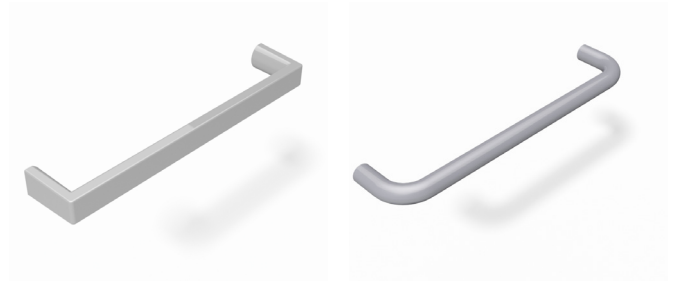
Handles for cabinets

Data sheet

DESCRIPTION

Labflex offers two types of handles. The handles are only attached to the cabinet after delivery, to minimize the risk of damage during transportation.

If the cabinets are delivered without installation by Labflex fitters, the included handles and screws are placed in a bag attached to the bottom of the cabinet.



Labflex Care

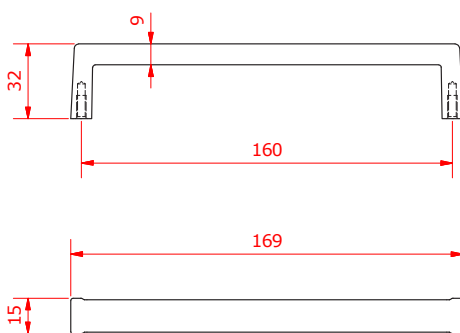
D-handle

VARIANTS

	Material	Surface	Screws	Item number
Labflex Care	Aluminum	Matt chrome	M4, L=25 mm	10201650
D-handle	Stainless 304 steel	Satin	M4, L=25 mm	10201607

DIMENSIONS

Labflex Care



D-handle

