

D-handle

Data sheet

DESCRIPTION

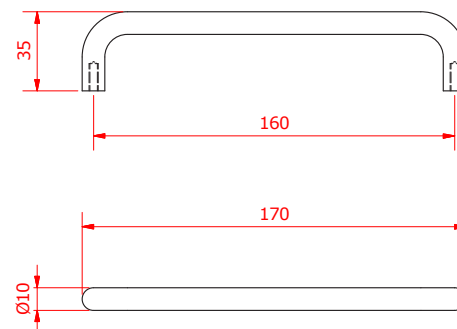
The handle is made of stainless steel and is used for all cabinet doors and drawers.



SPECIFICATIONS

Material:	Stainless steel
Finish:	Satin brushed
Screws:	M4x25 mm
Item no.:	10201607

DIMENSIONS



HEAD OFFICE, COPENHAGEN

Labflex A/S
Marielundvej 45 A
DK - 2730 Herlev

P +45 8747 2700

DENMARK

Labflex A/S
Hjortevej 3
DK - 7800 Skive

P +45 8747 2700

UNITED KINGDOM

Labflex Limited
Pegasus Business Park
Castle Donington
UK - DE74 2TZ

P +44 (0) 1332 638 071